



Properties

- Ø18 mm housing
- 1.5 mm flush mountable
- DC, NAMUR interface
- Cable and connector versions

Your Benefit

- ATEX approved sensor applicable up to zone 0 and zone 20
- Usable up to SIL2 acc. to IEC 61508
- Compression proof up to 350 bar, dynamically on active surface

Technical Data

For detailed data and product description refer to the data sheets at www.pepperl-fuchs.com

General Data

Rated operating distance	1.5 mm
Installation	flush
Switching element function	NAMUR, NC
Nominal voltage	8.2 V (R _i approx. 1 kΩ)
Current consumption	
Measuring plate not detected	≥ 3 mA
Measuring plate detected	≤ 1 mA
Switching frequency	0 ... 400 Hz
Ambient temperature	-25 ... 85 °C (-13 ... 185 °F)
Housing material	Stainless steel 1.4305 / AISI 303

Model Number

		NJ1,5-18GM-N-D	NJ1,5-18GM-N-D-V1
Protection degree	IP66 / IP68	●	●
	IP67		
Connection type	Device connector M12 x 1, 4-pin cable PVC, 2 m	●	●

Use in the Hazardous Area

Use in the hazardous area	see instruction manuals	●	●
Category	2G; 1D	●	●

Approvals and Certificates

UL approval	cULus Listed, General Purpose	●	●
CSA approval	cCSAus Listed, General Purpose	●	●

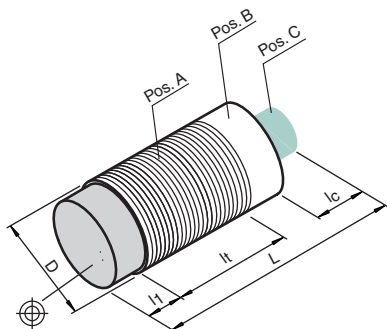
Dimensions

Length L [mm]	50	45
Diameter D [mm]		18
Thread length l _t [mm]		20
Cap length l ₁ [mm]		15
Connector area l _c [mm]	0	10
LED position		-

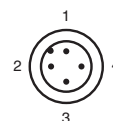
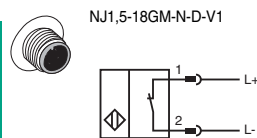
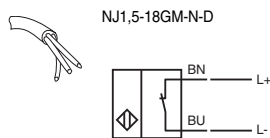
Accessories

This and more accessories can be found in chapter 10
See pages from 972 ... for cordsets See pages 1068 ... for mounting aids

V1-G-BK	4-pin, M12 female field-attachable connector
V1-W-BK	4-pin, M12 female field-attachable connector
V1-W-N-2M-PUR	Cable socket, M12, 2-pin, NAMUR, PUR cable
V1-G-N-2M-PUR	Cable socket, M12, 2-pin, NAMUR, PUR cable



Electrical Connection



Wire colors in accordance with EN 60947-5-6

1	BN	(brown)
2	BU	(blue)

Date of issue 04/08/2015